



# Blackjack Gaming Table

TCSJOHNHUXLEY's Blackjack Tables are recognised around the globe for seamlessly combining master craftsmanship with cutting-edge technology. With a wide range of sizes, styles, finishes, and colours to suit any casino's requirements, TCSJOHNHUXLEY high-quality gaming tables are unsurpassed.



## Features & Benefits

- Various standard base styles and custom designs available
- Adjustable feet or fixed-floor bracketing
- Industry leading layouts provide unlimited colour and designs.
- Removable insert, flip-top or or standard tabletop options
- Leather or vinyl armrest, available in a wide range of colours
- Wide choice of drink rails, holders and ashtrays
- Foot-rail - brass or chrome
- Easy to integrate TCS Jackpot System and LED bet sensors

## A Range of Sizes and Finishes

With a long history in manufacturing, installing, refurbishing and retro-fitting live table gaming furniture, TCSJOHNHUXLEY has created some of the world's most recognisable and eye-catching Blackjack tables.

Through a collaborative approach to table design and a wide range of sizes, styles, finishes and colours TCSJOHNHUXLEY can craft Blackjack tables to perfectly suit your casino's theme, brand and colour pallet.

## Highest Quality

With 50 years of experience, TCSJOHNHUXLEY's Gaming Tables are recognised around the world for unquestionable quality, outstanding craftsmanship, and excellent finishes.

As innovators of both traditional and technical products TCSJOHNHUXLEY understands the need to provide a fully integrated table that incorporates all products and technology seamlessly.

## Cutting Edge Technology

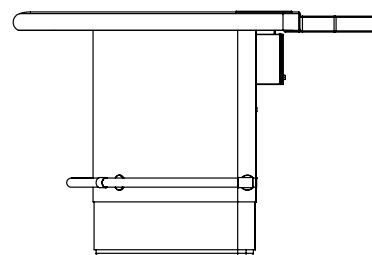
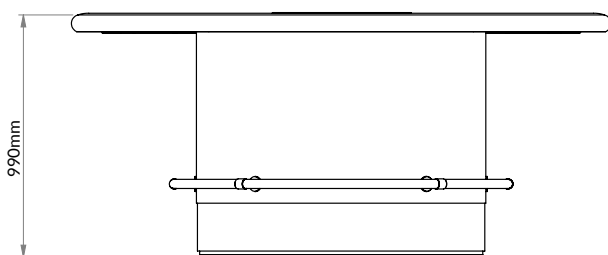
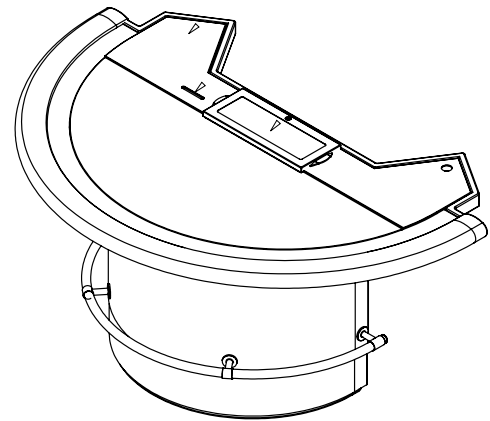
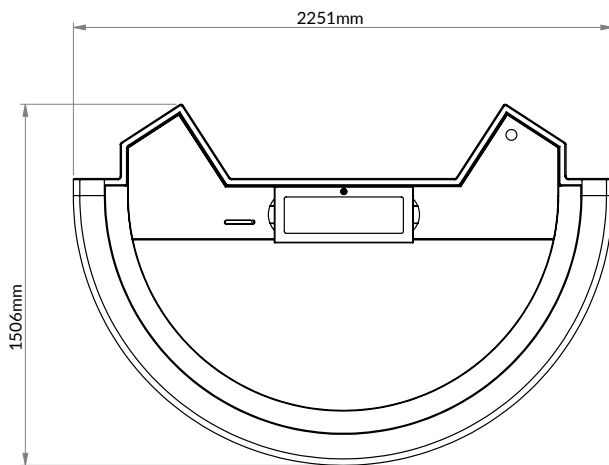
Alongside exquisite design sits the latest in cutting edge technology. From the integration of the dealer console and Winning Number Displays to embedded LED bet sensors, TCSJOHNHUXLEY seamlessly combines tradition with technological evolution providing operators with gaming tables that look stunning and deliver more.

## Ideal for the TCS Jackpot System

Like all TCSJOHNHUXLEY tables, Blackjack lends itself perfectly to the TCS Jackpot System. Available for a wide range of games, operators can create multiple unique progressives and side-bets for any table game, monitor the success of them in real-time and, if necessary, modify the game configurations instantly (subject to local regulations).

### Product Specifications

Table Height	990mm	38.98 in
Table Width	2251mm	88.62 in
Table Depth	1506mm	59.29 in
Table Shipping Weight	90kg	198.5 lbs
Colour Options	Available in a number of colours and finishes	
LED Options	LED edge lit panel built into the base or LED lighting strips incorporated into the base	
Electronic Options	Built-in cooling fans LED bet sensors Dealer Console	
Compatible Products	Winning Number Display range Table Game Performance TCS Jackpot System A Plus Shuffler	



All sizes are based on popular table dimensions, TCSJOHNHUXLEY manufactures all tables in various sizes to meet your needs.